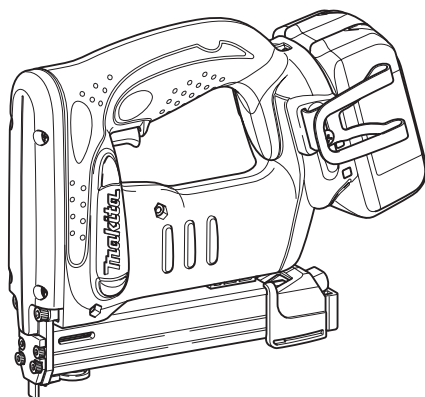


INSTRUCTION MANUAL
MANUEL D'INSTRUCTION
MANUAL DE INSTRUCCIONES



Cordless Stapler Agrafeuse sans Fil Engrapadora Inalámbrica

DST221



IMPORTANT: Read Before Using.

IMPORTANT : Lire avant usage.

IMPORTANTE: Lea antes de usar.

SPECIFICATIONS

Model	DST221	
Staple width	10 mm (3/8")	
Applicable staples length	10 mm (3/8") - 22 mm (7/8")	
Staple magazine capacity	84 pcs	
Overall length	251 mm (9-7/8")	
Net weight	2.1 kg (4.6 lbs)	2.4 kg (5.3 lbs)
Rated voltage	D.C. 18 V	
Standard battery cartridges	BL1815N/ BL1820B	BL1830/ BL1830B/ BL1840B/ BL1850B/ BL1860B

- Due to our continuing program of research and development, the specifications herein are subject to change without notice.
- Specifications and battery cartridge may differ from country to country.
- Weight, with battery cartridge, according to EPTA-Procedure 01/2003

General Power Tool Safety Warnings

⚠WARNING Read all safety warnings and all instructions. Failure to follow the warnings and instructions may result in electric shock, fire and/or serious injury.

Save all warnings and instructions for future reference.

The term "power tool" in the warnings refers to your mains-operated (corded) power tool or battery-operated (cordless) power tool.

Work area safety

1. **Keep work area clean and well lit.** Cluttered or dark areas invite accidents.
2. **Do not operate power tools in explosive atmospheres, such as in the presence of flammable liquids, gases or dust.** Power tools create sparks which may ignite the dust or fumes.
3. **Keep children and bystanders away while operating a power tool.** Distractions can cause you to lose control.

Electrical safety

4. **Power tool plugs must match the outlet. Never modify the plug in any way. Do not use any adapter plugs with earthed (grounded) power tools.** Unmodified plugs and matching outlets will reduce risk of electric shock.
5. **Avoid body contact with earthed or grounded surfaces such as pipes, radiators, ranges and refrigerators.** There is an increased risk of electric shock if your body is earthed or grounded.
6. **Do not expose power tools to rain or wet conditions.** Water entering a power tool will increase the risk of electric shock.
7. **Do not abuse the cord. Never use the cord for carrying, pulling or unplugging the power tool. Keep cord away from heat, oil, sharp edges or moving parts.** Damaged or entangled cords increase the risk of electric shock.
8. **When operating a power tool outdoors, use an extension cord suitable for outdoor use.** Use of a cord suitable for outdoor use reduces the risk of electric shock.

9. **If operating a power tool in a damp location is unavoidable, use a ground fault circuit interrupter (GFCI) protected supply.** Use of an GFCI reduces the risk of electric shock.

Personal safety

10. **Stay alert, watch what you are doing and use common sense when operating a power tool. Do not use a power tool while you are tired or under the influence of drugs, alcohol or medication.** A moment of inattention while operating power tools may result in serious personal injury.
11. **Use personal protective equipment. Always wear eye protection.** Protective equipment such as dust mask, non-skid safety shoes, hard hat, or hearing protection used for appropriate conditions will reduce personal injuries.
12. **Prevent unintentional starting. Ensure the switch is in the off-position before connecting to power source and/or battery pack, picking up or carrying the tool.** Carrying power tools with your finger on the switch or energising power tools that have the switch on invites accidents.
13. **Remove any adjusting key or wrench before turning the power tool on.** A wrench or a key left attached to a rotating part of the power tool may result in personal injury.
14. **Do not overreach. Keep proper footing and balance at all times.** This enables better control of the power tool in unexpected situations.
15. **Dress properly. Do not wear loose clothing or jewellery. Keep your hair, clothing, and gloves away from moving parts.** Loose clothes, jewellery or long hair can be caught in moving parts.
16. **If devices are provided for the connection of dust extraction and collection facilities, ensure these are connected and properly used.** Use of dust collection can reduce dust-related hazards.

Power tool use and care

17. **Do not force the power tool. Use the correct power tool for your application.** The correct power tool will do the job better and safer at the rate for which it was designed.
18. **Do not use the power tool if the switch does not turn it on and off.** Any power tool that cannot be controlled with the switch is dangerous and must be repaired.

19. **Disconnect the plug from the power source and/or the battery pack from the power tool before making any adjustments, changing accessories, or storing power tools.** Such preventive safety measures reduce the risk of starting the power tool accidentally.
20. **Store idle power tools out of the reach of children and do not allow persons unfamiliar with the power tool or these instructions to operate the power tool.** Power tools are dangerous in the hands of untrained users.
21. **Maintain power tools. Check for misalignment or binding of moving parts, breakage of parts and any other condition that may affect the power tool's operation. If damaged, have the power tool repaired before use.** Many accidents are caused by poorly maintained power tools.
22. **Keep cutting tools sharp and clean.** Properly maintained cutting tools with sharp cutting edges are less likely to bind and are easier to control.
23. **Use the power tool, accessories and tool bits etc. in accordance with these instructions, taking into account the working conditions and the work to be performed.** Use of the power tool for operations different from those intended could result in a hazardous situation.

Battery tool use and care

24. **Recharge only with the charger specified by the manufacturer.** A charger that is suitable for one type of battery pack may create a risk of fire when used with another battery pack.
25. **Use power tools only with specifically designated battery packs.** Use of any other battery packs may create a risk of injury and fire.
26. **When battery pack is not in use, keep it away from any other metal objects, like paper clips, coins, keys, nails, screws or other small metal objects, that can make a connection from one terminal to another.** Shorting the battery terminals together may cause burns or a fire.
27. **Under abusive conditions, liquid may be ejected from the battery; avoid contact. If contact accidentally occurs, flush with water. If liquid contacts eyes, additionally seek medical help.** Liquid ejected from the battery may cause irritation or burns.

Service

28. **Have your power tool serviced by a qualified repair person using only identical replacement parts.** This will ensure that the safety of the power tool is maintained.
29. **Follow instruction for lubricating and changing accessories.**
30. **Keep handles dry, clean and free from oil and grease.**

CORDLESS STAPLER SAFETY WARNINGS

1. **Always assume that the tool contains fasteners.** Careless handling of the stapler can result in unexpected firing of fasteners and personal injury.
2. **Do not point the tool towards yourself or anyone nearby.** Unexpected triggering will discharge the fastener causing an injury.

3. **Do not actuate the tool unless the tool is placed firmly against the workpiece.** If the tool is not in contact with the workpiece, the fastener may be deflected away from your target.
4. **Disconnect the tool from the power source when the fastener jams in the tool.** While removing a jammed fastener, the stapler may be accidentally activated if it is plugged in.
5. **Use caution while removing a jammed fastener.** The mechanism may be under compression and the fastener may be forcefully discharged while attempting to free a jammed condition.
6. **Do not use this stapler for fastening electrical cables.** It is not designed for electric cable installation and may damage the insulation of electric cables thereby causing electric shock or fire hazards.
7. **Always wear safety goggles or safety glasses with side shield, and a full face shield when needed.**
8. **Keep hands and feet away from the ejection port area.**
9. **Always remove the battery cartridge before loading the fasteners, adjustment, inspection, maintenance or after operation is over.**
10. **Make sure no one is nearby before operation. Never attempt to drive fasteners from both the inside and outside of wall at the same time. Fasteners may rip through and/or fly off, presenting a grave danger.**
11. **Watch your footing and maintain your balance with the tool. Make sure there is no one below when working in high locations.**
12. **Check walls, ceilings, floors, roofing and the like carefully to avoid possible electrical shock, gas leakage, explosions, etc. caused by stapling into live wires, conduits or gas pipes.**
13. **Use only fasteners specified in this manual. The use of any other fasteners may cause malfunction of the tool.**
14. **Do not tamper with the tool or attempt to use it for other than driving fasteners.**
15. **Do not operate the tool without fasteners. It shortens the service life of the tool.**
16. **Stop driving operations immediately if you notice something wrong or out of the ordinary with the tool.**
17. **Never fastener into any materials which may allow the fastener to puncture and fly through as a projectile.**
18. **Never actuate the switch trigger and safety lever at the same time until you are prepared to fastener workpieces. Allow the workpiece to depress the safety lever. Never defeat its purpose by securing the safety lever back or by depressing it by hand.**
19. **Never tamper with the safety lever. Check the safety lever frequently for proper operations.**

SAVE THESE INSTRUCTIONS.

⚠WARNING: DO NOT let comfort or familiarity with product (gained from repeated use) replace strict adherence to safety rules for the subject product. **MISUSE** or failure to follow the safety rules stated in this instruction manual may cause serious personal injury.

Symbols

The followings show the symbols used for tool.

v	volts
—	direct current

IMPORTANT SAFETY INSTRUCTIONS

FOR BATTERY CARTRIDGE

1. Before using battery cartridge, read all instructions and cautionary markings on (1) battery charger, (2) battery, and (3) product using battery.
2. Do not disassemble battery cartridge.
3. If operating time has become excessively shorter, stop operating immediately. It may result in a risk of overheating, possible burns and even an explosion.
4. If electrolyte gets into your eyes, rinse them out with clear water and seek medical attention right away. It may result in loss of your eyesight.
5. Do not short the battery cartridge:
 - (1) Do not touch the terminals with any conductive material.
 - (2) Avoid storing battery cartridge in a container with other metal objects such as nails, coins, etc.
 - (3) Do not expose battery cartridge to water or rain.

A battery short can cause a large current flow, overheating, possible burns and even a breakdown.

6. Do not store the tool and battery cartridge in locations where the temperature may reach or exceed 50°C (122°F).
7. Do not incinerate the battery cartridge even if it is severely damaged or is completely worn out. The battery cartridge can explode in a fire.
8. Be careful not to drop or strike battery.
9. Do not use a damaged battery.
10. The contained lithium-ion batteries are subject to the Dangerous Goods Legislation requirements. For commercial transports e.g. by third parties, forwarding agents, special requirement on packaging and labeling must be observed. For preparation of the item being shipped, consulting an expert for hazardous material is required. Please also observe possibly more detailed national regulations. Tape or mask off open contacts and pack up the battery in such a manner that it cannot move around in the packaging.
11. Follow your local regulations relating to disposal of battery.

SAVE THESE INSTRUCTIONS.

CAUTION: Only use genuine Makita batteries. Use of non-genuine Makita batteries, or batteries that have been altered, may result in the battery bursting causing fires, personal injury and damage. It will also void the Makita warranty for the Makita tool and charger.

Tips for maintaining maximum battery life

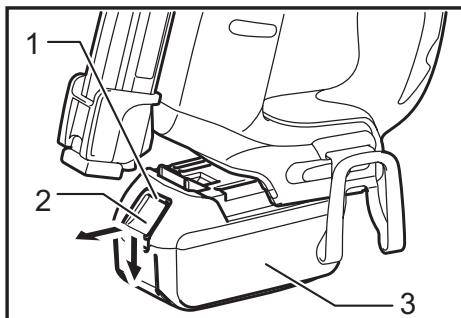
1. Charge the battery cartridge before completely discharged. Always stop tool operation and charge the battery cartridge when you notice less tool power.
2. Never recharge a fully charged battery cartridge. Overcharging shortens the battery service life.
3. Charge the battery cartridge with room temperature at 10°C - 40°C (50°F - 104°F). Let a hot battery cartridge cool down before charging it.
4. Charge the battery cartridge if you do not use it for a long period (more than six months).

FUNCTIONAL DESCRIPTION

CAUTION:

- Always be sure that the tool is switched off and the battery cartridge is removed before adjusting or checking function on the tool.

Installing or removing battery cartridge



▶ 1. Red part 2. Button 3. Battery cartridge

CAUTION:

- Always switch off the tool before installing or removing of the battery cartridge.
- **Hold the tool and the battery cartridge firmly when installing or removing battery cartridge.** Failure to hold the tool and the battery cartridge firmly may cause them to slip off your hands and result in damage to the tool and battery cartridge and a personal injury.

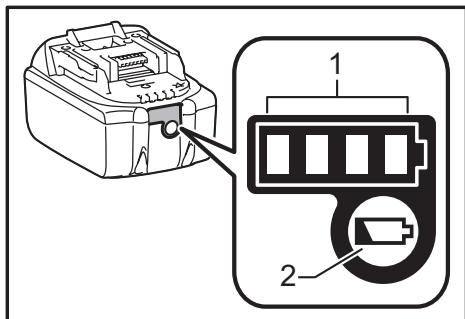
To remove the battery cartridge, slide it from the tool while sliding the button on the front of the cartridge. To install the battery cartridge, align the tongue on the battery cartridge with the groove in the housing and slip it into place. Insert it all the way until it locks in place with a little click. If you can see the red indicator on the upper side of the button, it is not locked completely.

⚠ CAUTION:

- Always install the battery cartridge fully until the red indicator cannot be seen. If not, it may accidentally fall out of the tool, causing injury to you or someone around you.
- Do not install the battery cartridge forcibly. If the cartridge does not slide in easily, it is not being inserted correctly.











Indicating the remaining battery capacity

(Only for battery cartridges with "B" at the end of the model number.)



- 1. Indicator lamps 2. Check button

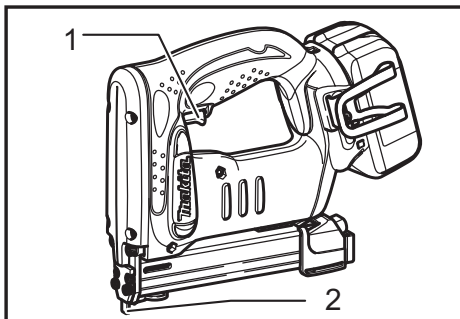
Press the check button on the battery cartridge to indicate the remaining battery capacity. The indicator lamps light up for few seconds.

Indicator lamps			Remaining capacity
 Lighted	 Off	 Blinking	
			75% to 100%
			50% to 75%
			25% to 50%
			0% to 25%
			Charge the battery.
			The battery may have malfunctioned.
			

NOTE:

- Depending on the conditions of use and the ambient temperature, the indication may differ slightly from the actual capacity.

Safety system



- 1. Trigger 2. Safety lever

Make sure all safety systems are in working order before operation. The tool must not operate if only the switch trigger is pulled or if only the safety lever is pressed against the wood. It must work only when both actions are performed. Test for possible faulty operation with a tool unloaded and pointed well away from yourself or any bystanders.

NOTE:

- There is a possibility that the tool may operate for an instant when only the trigger is pulled. This does not indicate a problem. If this occurs, point the tool well away from yourself or any bystanders. Release and pull the trigger again to make sure the safety systems are in working order.

ASSEMBLY

⚠ CAUTION:

- Always make sure that your fingers are not placed on the trigger and the battery cartridge is removed before carrying out any work on the stapler.

Staples

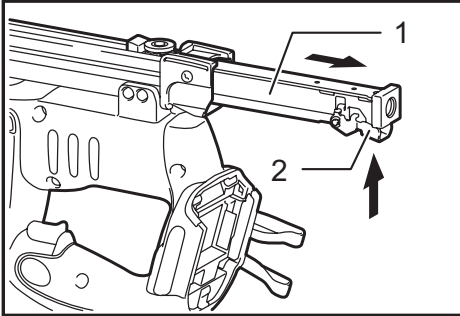
- Handle the staples and their box carefully. If the staples have been handled roughly, they may be bent out of shape, causing poor staple feed or jamming.
- Avoid storing the staples in a very humid or hot place or place exposed to direct sunlight.

⚠ CAUTION:

- Do not use staples other than designated in this manual or staples that appear to be damaged, bent, rusty or corroded.
- Do not insert staples of which size is different each other at the same time inside the magazine, causing poor staple feed or jamming.

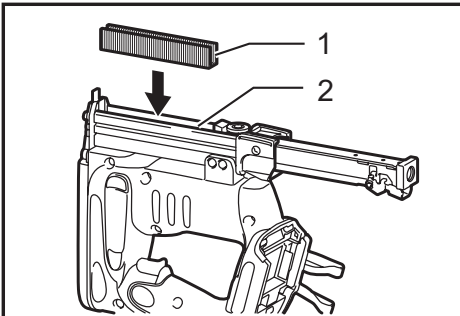
Loading staples

Remove the battery cartridge.
Press the locking lever on the rear of the sub magazine and slide the sub magazine backward.



► 1. Sub magazine 2. Locking lever

Load staples into the main magazine with their feet facing up. Slide the sub-magazine forward.



► 1. Staples 2. Main magazine

To secure the sub magazine in place, hook the locking lever on the rear of the sub-magazine.

⚠ CAUTION:

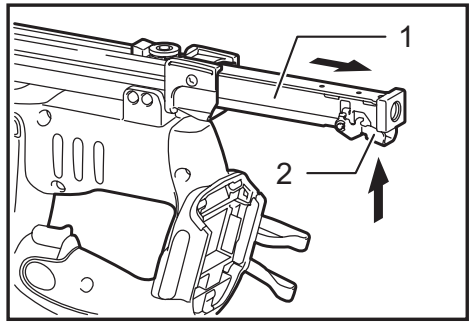
- With the magazine loaded, if the tool is held downward and the sub-magazine is opened, the staples can fall out and present a danger to anyone or anything below. Keep this in mind especially when working in high locations.

Unloading staples

⚠ CAUTION:

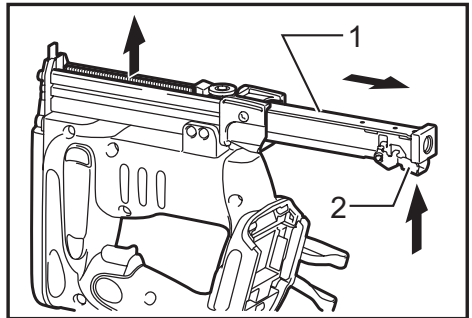
- When removing staples, make sure that your fingers are not placed on the trigger or the lever and the battery cartridge is removed from the stapler. Misfiring may cause personal injuries and property damage.

Remove the battery cartridge.
Press the locking lever and slide the magazine back.



► 1. Sub magazine 2. Locking lever

Take out staples from the magazine slit.

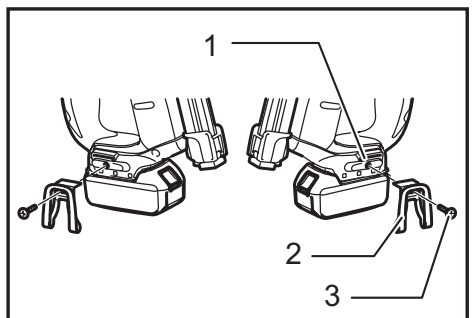


► 1. Sub magazine 2. Locking lever

Hook

⚠ CAUTION:

- Always make sure that your fingers are not placed on the trigger or the lever and the battery cartridge is removed before using the hook.

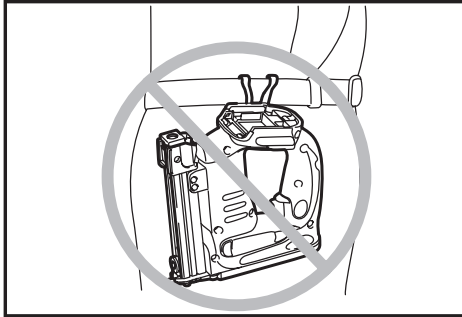


► 1. Groove 2. Hook 3. Screw

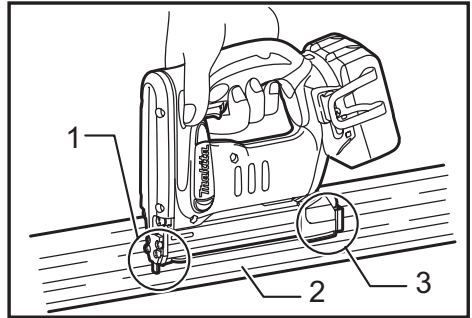
⚠ CAUTION:

- Do not hang the hook from the waist belt. Dropping the stapler, which is caused by the hook accidentally coming out of place, may cause misfiring and personal injuries.

The hook is convenient for temporarily hanging the tool. This can be installed on either side of the tool. To install the hook, insert it into a groove in the tool housing on either side and then secure it with a screw. To remove, loosen the screw and then take it out.



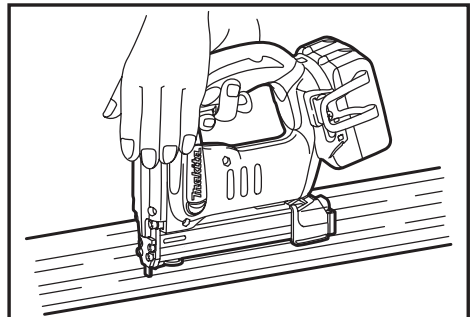
Driving staples



► 1. Front 2. Workpiece 3. Rear

Place flat the opening of the tool from which staples are fired on the material to be fastened and hold the tool firmly against the material. Then pull the lever and then pull the trigger fully to drive the staples. The grip is shaped so that the tool head can be held down securely with index finger and thumb. After driving a staple, be sure to release the trigger fully.

When the head of driven staple remains above the surface of material to be fastened, drive the staple while holding the stapler head firmly.

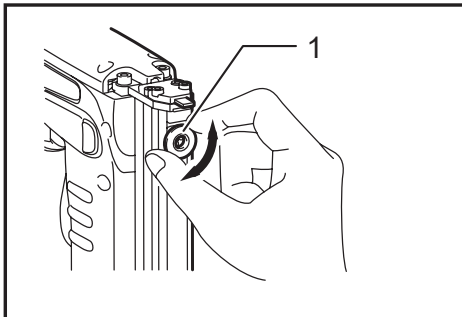


NOTE:

- Using the stapler continuously with the head of driven staples remaining above the surface of material to be fastened may cause damage to the driver of the stapler and stapler jamming etc..

OPERATION

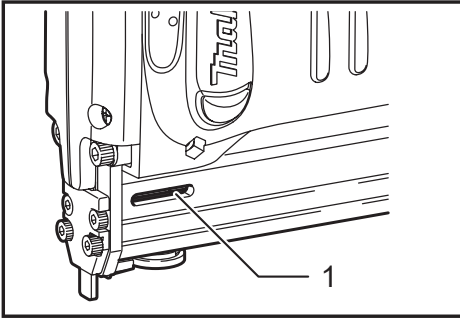
Depth adjustment



► 1. Nut

If the staples are driven too deep or too shallow, adjust the driving depth by turning the nut on the bottom of the tool. For deeper driving of staples, turn the nut clockwise. For shallower driving, turn the nut counterclockwise. Please note the nut must be turned in increments of 90° (1/4 turn) so that the groove on the nut runs parallel to the magazine.

Checking remaining staples



- 1. Sight window

⚠ CAUTION:

- Do not operate the tool without staples. It shortens the service life of the tool.

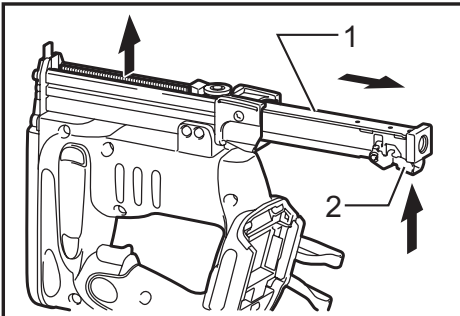
There is a convenient sight window on the right side of the tool (when viewing the tool from the front). Use this sight window to check if there are staples in the magazine. When staples are not visible through the window, load staples into the magazine.

Removing jammed staples

⚠ WARNING:

- Always make sure that the trigger are released and the battery cartridge is removed before removing jammed staples .

Remove the battery cartridge from the stapler.



- 1. Sub magazine 2. Locking lever

Press the locking lever on the rear of the sub magazine and slide the sub magazine backward.
Take out stuck staples that remain inside the opening that staples are fired from as it appears.

MAINTENANCE

⚠ CAUTION:

- Always be sure that the tool is switched off and the battery cartridge is removed before attempting to perform inspection or maintenance.
- Never use gasoline, benzine, thinner, alcohol or the like. Discoloration, deformation or cracks may result.

To maintain product SAFETY and RELIABILITY, repairs, any other maintenance or adjustment should be performed by Makita Authorized or Factory Service Centers, always using Makita replacement parts.

OPTIONAL ACCESSORIES

⚠ CAUTION:

- These accessories or attachments are recommended for use with your Makita tool specified in this manual. The use of any other accessories or attachments might present a risk of injury to persons. Only use accessory or attachment for its stated purpose.

If you need any assistance for more details regarding these accessories, ask your local Makita Service Center.

- Staples
- Makita genuine battery and charger

NOTE:

- Some items in the list may be included in the tool package as standard accessories. They may differ from country to country.

MAKITA LIMITED WARRANTY

Please refer to the annexed warranty sheet for the most current warranty terms applicable to this product. If annexed warranty sheet is not available, refer to the warranty details set forth at below website for your respective country.

United States of America: www.makitatools.com

Canada: www.makita.ca

Other countries: www.makita.com

SPÉCIFICATIONS

Modèle	DST221	
Épaisseur de l'agrafeuse	10 mm (3/8")	
Longueur d'agrafe applicable	10 mm (3/8") - 22 mm (7/8")	
Capacité du chargeur d'agrafes	84 unités	
Longueur totale	251 mm (9-7/8")	
Poids net	2,1 kg (4,6 lbs)	2,4 kg (5,3 lbs)
Tension nominale	C.C. 18 V	
Batteries standard	BL1815N/ BL1820B	BL1830/ BL1830B/ BL1840B/ BL1850B/ BL1860B

- Étant donné l'évolution constante de notre programme de recherche et de développement, les spécifications contenues dans ce manuel sont sujettes à modification sans préavis.
- Les caractéristiques techniques et la batterie peuvent varier suivant les pays.
- Poids, batterie comprise, conforme à la procédure EPTA de 01/2003

Consignes de sécurité générales pour outils électriques

⚠ MISE EN GARDE Veuillez lire toutes les mises en garde de sécurité et toutes les instructions. L'ignorance des mises en garde et des instructions comporte un risque de choc électrique, d'incendie et/ou de blessure grave.

Conservez toutes les mises en garde et instructions pour référence future.

Le terme « outil électrique » qui figure dans les avertissements fait référence à un outil électrique branché sur une prise de courant (par un cordon d'alimentation) ou alimenté par batterie (sans fil).

Sécurité de la zone de travail

1. **Maintenez la zone de travail propre et bien éclairée.** Les zones de travail encombrées ou sombres ouvrent grande la porte aux accidents.
2. **N'utilisez pas les outils électriques dans les atmosphères explosives, par exemple en présence de liquides, gaz ou poussières inflammables.** Les outils électriques produisent des étincelles au contact desquelles la poussière ou les vapeurs peuvent s'enflammer.
3. **Assurez-vous qu'aucun enfant ou curieux ne s'approche pendant que vous utilisez un outil électrique.** Vous risquez de perdre la maîtrise de l'outil si votre attention est détournée.

Sécurité en matière d'électricité

4. **Les fiches d'outil électrique sont conçues pour s'adapter parfaitement aux prises de courant. Ne modifiez jamais la fiche de quelque façon que ce soit. N'utilisez aucun adaptateur de fiche sur les outils électriques avec mise à la terre.** En ne modifiant pas les fiches et en les insérant dans des prises de courant pour lesquelles elles ont été conçues vous réduirez les risques de choc électrique.

5. **Évitez tout contact corporel avec les surfaces mises à la terre, telles que les tuyaux, radiateurs, cuisinières et réfrigérateurs.** Le risque de choc électrique est plus élevé si votre corps se trouve mis à la terre.
6. **N'exposez pas les outils électriques à la pluie ou à l'eau.** La présence d'eau dans un outil électrique augmente le risque de choc électrique.
7. **Ne maltraitez pas le cordon. N'utilisez jamais le cordon pour transporter, tirer ou débrancher l'outil électrique. Maintenez le cordon à l'écart des sources de chaleur, de l'huile, des objets à bords tranchants et des pièces en mouvement.** Le risque de choc électrique est plus élevé lorsque les cordons sont endommagés ou enchevêtrés.
8. **Lorsque vous utilisez un outil électrique à l'extérieur, utilisez un cordon prolongateur prévu à cette fin.** Les risques de choc électrique sont moindres lorsqu'un cordon conçu pour l'extérieur est utilisé.
9. **Si vous devez utiliser un outil électrique dans un endroit humide, utilisez une source d'alimentation protégée par un disjoncteur de fuite à la terre.** L'utilisation d'un disjoncteur de fuite à la terre réduit le risque de choc électrique.

Sécurité personnelle

10. **Restez alerte, attentif à vos mouvements et faites preuve de bon sens lorsque vous utilisez un outil électrique. Évitez d'utiliser un outil électrique si vous êtes fatigué ou si vous avez pris une drogue, de l'alcool ou un médicament.** Un moment d'inattention pendant l'utilisation d'un outil électrique peut entraîner une grave blessure.
11. **Portez des dispositifs de protection personnelle. Portez toujours un protecteur pour la vue.** Les risques de blessure seront moins élevés si vous utilisez des dispositifs de protection tels qu'un masque antipoussières, des chaussures à semelle antidérapante, une coiffure résistante ou une protection d'oreilles.

12. **Évitez les démarrages accidentels. Assurez-vous que l'interrupteur soit en position d'arrêt avant de brancher l'outil à la prise électrique et/ou au bloc-piles, avant de prendre ou de transporter l'outil.** Vous ouvrez la porte aux accidents si vous transportez les outils électriques avec le doigt sur l'interrupteur ou si vous les branchez alors que l'interrupteur est en position de marche.
13. **Retirez toute clé de réglage ou de serrage avant de mettre l'outil sous tension.** Toute clé laissée en place sur une pièce rotative de l'outil électrique peut entraîner une blessure.
14. **Maintenez une bonne position. Assurez-vous d'une bonne prise au sol et d'une bonne position d'équilibre en tout temps.** Cela vous permettra d'avoir une meilleure maîtrise de l'outil dans les situations imprévues.
15. **Portez des vêtements adéquats. Ne portez ni vêtements amples ni bijoux. Vous devez maintenir cheveux, vêtements et gants à l'écart des pièces en mouvement.** Les pièces en mouvement peuvent happer les vêtements amples, les bijoux et les cheveux longs.
16. **Si des accessoires sont fournis pour raccorder un appareil d'aspiration et de collecte de la poussière, assurez-vous qu'ils sont correctement raccordés et qu'ils sont utilisés de manière adéquate.** L'utilisation d'un appareil d'aspiration permet de réduire les risques liés à la présence de poussière dans l'air.

Utilisation et entretien des outils électriques

17. **Ne forcez pas l'outil électrique. Utilisez l'outil électrique adéquat suivant le type de travail à effectuer.** Si vous utilisez l'outil électrique adéquat et respectez le régime pour lequel il a été conçu, il effectuera un travail de meilleure qualité et de façon plus sécuritaire.
18. **N'utilisez pas l'outil électrique s'il n'est pas possible de mettre sa gâchette en position de marche et d'arrêt.** Un outil électrique dont l'interrupteur est défectueux représente un danger et doit être réparé.
19. **Débranchez la fiche de la source d'alimentation et/ou retirez le bloc-piles de l'outil électrique avant d'effectuer tout réglage, de changer un accessoire ou de ranger l'outil électrique.** De telles mesures préventives réduisent les risques de démarrage accidentel de l'outil électrique.
20. **Après l'utilisation d'un outil électrique, rangez-le hors de portée des enfants et ne laissez aucune personne l'utiliser si elle n'est pas familiarisée avec l'outil électrique ou les présentes instructions d'utilisation.** Les outils électriques représentent un danger entre les mains de personnes qui n'en connaissent pas le mode d'utilisation.
21. **Veillez à l'entretien des outils électriques. Assurez-vous que les pièces mobiles ne sont pas désalignées ou coincées, qu'aucune pièce n'est cassée et que l'outil électrique n'a subi aucun dommage affectant son bon fonctionnement. Le cas échéant, faites réparer l'outil électrique avant de l'utiliser.** De nombreux accidents sont causés par des outils électriques mal entretenus.

22. **Maintenez les outils tranchants bien aiguisés et propres.** Un outil tranchant dont l'entretien est effectué correctement et dont les bords sont bien aiguisés risquera moins de se coincer et sera plus facile à maîtriser.
 23. **Utilisez l'outil électrique, ses accessoires, ses embouts, etc., en respectant les présentes instructions, en tenant compte des conditions de travail et du type de travail à effectuer.** L'utilisation d'un outil électrique à des fins autres que celles prévues peut entraîner une situation dangereuse.
- #### Utilisation et entretien des outils alimentés par batterie
24. **Pour recharger, utilisez uniquement le chargeur spécifié par le fabricant.** L'utilisation d'un chargeur conçu pour un type donné de bloc-piles comporte un risque d'incendie lorsqu'il est utilisé avec un autre type de bloc-piles.
 25. **N'utilisez un outil électrique qu'avec le bloc-piles conçu spécifiquement pour cet outil.** Il y a un risque de blessure ou d'incendie si un autre bloc-piles est utilisé.
 26. **Lorsque vous n'utilisez pas le bloc-piles, rangez-le à l'écart des objets métalliques tels que trombones, pièces de monnaie, clés, clous, vis ou autres petits objets métalliques qui risquent d'établir une connexion entre les bornes.** La mise en court-circuit des bornes de batterie peut causer des brûlures ou un incendie.
 27. **Dans des conditions d'utilisation inadéquates de la batterie, il peut y avoir fuite d'électrolyte; évitez tout contact avec ce liquide. En cas de contact accidentel, rincez avec beaucoup d'eau. Si le liquide pénètre dans vos yeux, il faut aussi consulter un médecin.** L'électrolyte qui s'échappe de la batterie peut causer des irritations ou des brûlures.

Réparation

28. **Faites réparer votre outil électrique par un réparateur qualifié qui utilise des pièces de rechange identiques aux pièces d'origine.** Le maintien de la sûreté de l'outil électrique sera ainsi assuré.
29. **Suivez les instructions de lubrification et de changement des accessoires.**
30. **Maintenez les poignées de l'outil sèches, propres et exemptes d'huile ou de graisse.**

CONSIGNES DE SÉCURITÉ POUR L'AGRAFEUSE SANS FIL

1. **Tenez toujours pour acquis que l'outil contient des agrafes.** Une mauvaise manipulation de l'agrafeuse peut causer son déclenchement accidentel et des blessures.
2. **Ne pointez jamais l'outil vers vous-même ou une autre personne se trouvant près de vous.** En cas de déclenchement accidentel un clou serait éjecté et risquerait de causer une blessure.
3. **N'activez pas l'outil avant qu'il ne soit fermement placé contre la pièce à travailler.** Si l'outil n'est pas en contact avec la pièce, le clou risque de dévier de sa cible.
4. **Débranchez l'outil de sa source d'alimentation lorsqu'une agrafe se coince dans l'outil.** Branchée, l'agrafeuse risquerait de se déclencher accidentellement pendant que vous retirez l'agrafe coincée.

5. **Soyez prudent lorsque vous retirez un clou coincé.** Le mécanisme peut être soumis à une forte pression et la cloueuse risque de se déclencher pendant que vous essayez de la débloquer.
6. **N'utilisez pas cette agrafeuse pour fixer des câbles électriques.** Cet outil n'est pas conçu pour l'installation de câbles électriques; il pourrait endommager l'isolation des câbles, ce qui entraîne un risque d'électrocution ou d'incendie.
7. **Portez toujours des lunettes à coques ou des lunettes de sécurité avec un écran latéral, ainsi qu'un écran facial lorsque nécessaire.**
8. **Gardez les mains et les pieds hors de portée de la zone du port d'éjection.**
9. **Avant de charger des agrafes, de procéder à un réglage, de faire une inspection, d'effectuer un entretien ou lorsque l'utilisation est terminée, retirez toujours la batterie.**
10. **Assurez-vous que personne ne se trouve à proximité avant de l'utiliser. Ne tentez jamais de fixer des agrafes de l'intérieur et de l'extérieur d'un mur simultanément. Ils pourraient passer à travers et/ou voler au hasard, ce qui pourrait représenter un danger grave.**
11. **Regardez où vous mettez les pieds et assurez-vous d'une prise équilibrée sur l'outil. Assurez-vous qu'il n'y a personne en bas lorsque vous travaillez dans des endroits élevés.**
12. **Vérifiez soigneusement les murs, plafonds, planchers, toits et surfaces similaires pour éviter les risques de choc électrique, de fuite de gaz, d'explosion, etc., causés par le clouage sur des fils exposés, des conduits ou des tuyaux de gaz.**
13. **Utilisez uniquement les agrafes spécifiées dans ce manuel. L'utilisation de tout autre type d'agrafes peut causer le dysfonctionnement de l'outil.**
14. **Ne modifiez pas l'outil et ne tentez pas de l'utiliser pour autre chose que fixer des agrafes.**
15. **N'utilisez pas l'outil sans agrafes. Cela réduit la durée de vie de l'outil.**
16. **Cessez immédiatement le clouage si vous notez une anomalie ou un fonctionnement inhabituel de l'outil.**
17. **N'agrafez jamais un matériau qui permettrait à l'agrafe de traverser et de s'envoler comme un projectile.**
18. **N'actionnez jamais le déclencheur et le levier de sécurité simultanément si vous n'êtes pas prêt à agraffer. Laissez la pièce faire en sorte que le levier de sécurité s'abaisse. N'évitez jamais son fonctionnement en bloquant vers l'arrière le levier de sécurité ou en l'abaissant manuellement.**
19. **Ne modifiez jamais le levier de sécurité. Vérifiez régulièrement le bon fonctionnement du levier de sécurité.**

CONSERVEZ CE MODE D'EMPLOI.

▲ MISE EN GARDE : NE VOUS LAISSEZ PAS tromper (au fil d'une utilisation répétée) par un sentiment d'aisance ou de familiarité avec le produit en négligeant les consignes de sécurité qui accompagnent le produit. L'utilisation non sécuritaire ou incorrecte de cet outil comporte un risque de blessure grave.

Symboles

Les symboles utilisés pour l'outil sont indiqués ci-dessous.

V	volts
— — —	courant continu

CONSIGNES DE SÉCURITÉ IMPORTANTES

POUR LA BATTERIE

1. **Avant d'utiliser la batterie, lisez toutes les instructions et précautions relatives (1) au chargeur de batterie, (2) à la batterie, et (3) à l'outil utilisant la batterie.**
2. **Ne démontez pas la batterie.**
3. **Cessez immédiatement l'utilisation si le temps de fonctionnement devient excessivement court. Il y a risque de surchauffe, de brûlures, voire d'explosion.**
4. **Si l'électrolyte pénètre dans vos yeux, rincez-les à l'eau claire et consultez immédiatement un médecin. Il y a risque de perte de la vue.**
5. **Ne court-circuitez pas la batterie :**
 - (1) **Ne touchez les bornes avec aucun matériau conducteur.**
 - (2) **Évitez de ranger la batterie dans un conteneur avec d'autres objets métalliques, par exemple des clous, des pièces de monnaie, etc.**
 - (3) **Évitez d'exposer la batterie à l'eau ou à la pluie.**

Un court-circuit de la batterie pourrait provoquer un fort courant, une surchauffe, parfois des brûlures et même une panne.
6. **Ne rangez pas l'outil ou la batterie dans des endroits où la température risque d'atteindre ou de dépasser 50°C (122°F).**
7. **Ne jetez pas la batterie au feu même si elle est sérieusement endommagée ou complètement épuisée. La batterie peut exploser au contact du feu.**
8. **Prenez garde d'échapper ou de heurter la batterie.**
9. **N'utilisez pas une batterie si elle est endommagée.**

10. **Les batteries au lithium-ion contenues sont soumises aux exigences des lois applicables concernant les matières dangereuses.**
 Pour le transport commercial, p. ex. par des entreprises de transport tiers, il est nécessaire de respecter certaines mesures particulières ayant trait à l'emballage et à l'étiquetage.
 L'assistance d'un expert en matières dangereuses est requise pour la préparation de l'article à expédier. Veuillez également vous conformer aux réglementations nationales en vigueur qui pourraient être plus détaillées.
 Masquez les contacts découverts ou couvrez-les de ruban, et emballez la batterie de façon à ce qu'elle ne puisse se déplacer à l'intérieur du paquet.
11. **Suivez la réglementation locale concernant la mise au rebut de la batterie.**

CONSERVEZ CE MODE D'EMPLOI.

⚠ ATTENTION : Utilisez uniquement des batteries Makita d'origine.

L'utilisation de batteries autres que les batteries d'origine Makita ou de batteries qui ont été modifiées peut entraîner l'explosion de la batterie et provoquer des incendies, blessures et autres dommages. Cela annulerait également la garantie de Makita s'appliquant à l'outil Makita et au chargeur.

Conseils pour obtenir la durée de service maximale de la batterie

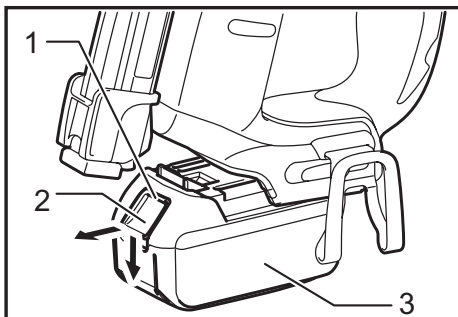
1. **Rechargez la batterie avant qu'elle ne soit complètement déchargée.**
Arrêtez toujours l'outil et rechargez la batterie quand vous remarquez que la puissance de l'outil diminue.
2. **Ne rechargez jamais une batterie complètement chargée.**
La surcharge réduit la durée de service de la batterie.
3. **Rechargez la batterie à une température ambiante comprise entre 10°C et 40°C (50°F - 104°F).** Si la batterie est chaude, laissez-la refroidir avant de la recharger.
4. **Rechargez la batterie si vous ne l'utilisez pas pendant une période prolongée (plus de six mois).**

DESCRIPTION DU FONCTIONNEMENT

⚠ ATTENTION :

- Assurez-vous toujours que l'outil est hors tension et que sa batterie est retirée avant de l'ajuster ou de vérifier son fonctionnement.

Installation ou retrait de la batterie



► 1. Partie rouge 2. Bouton 3. Batterie

⚠ ATTENTION :

- Mettez toujours l'appareil hors tension avant d'installer ou de retirer la batterie.
- **Tenez fermement l'outil et la batterie lors de l'installation ou du retrait de cette dernière.** Sinon, l'outil et la batterie pourraient vous glisser des mains, ce qui risque d'endommager l'outil et la batterie, ou encore de provoquer des blessures.

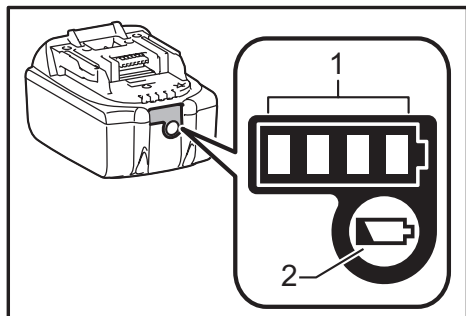
Pour retirer la batterie, faites-la glisser de l'outil tout en faisant glisser le bouton se trouvant à l'avant.
 Pour installer la batterie, alignez sa languette sur la rainure pratiquée dans le boîtier, et glissez la batterie en place. Insérez-la à fond jusqu'à ce que vous entendiez un clic. Si vous pouvez voir l'indicateur rouge situé sur le dessus du bouton, la batterie n'est pas complètement verrouillée.

⚠ ATTENTION :

- Installez toujours la batterie à fond jusqu'à ce que vous ne puissiez plus voir l'indicateur rouge. Dans le cas contraire, elle pourrait tomber de l'outil et entraîner des blessures.
- Ne forcez pas sur la batterie pour l'installer. Si la batterie ne glisse pas facilement, c'est qu'elle n'est pas insérée correctement.

Affiche la capacité restante de la batterie

(Uniquement pour les batteries dont le numéro de modèle se termine par « B ».)



► 1. Témoins 2. Bouton de vérification

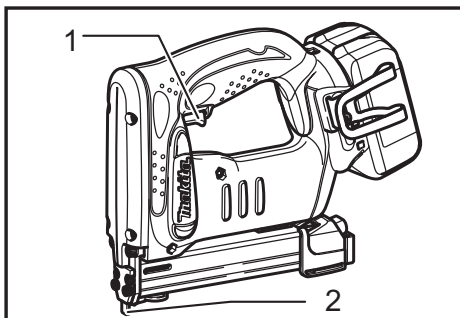
Appuyez sur le bouton de vérification sur la batterie pour afficher la capacité résiduelle de la batterie. Les témoins s'allument pendant quelques secondes.

Témoins			Capacité résiduelle
Allumé	ARRÊT	Clignotement	
■ ■ ■ ■			75 % à 100 %
■ ■ ■ □			50 % à 75 %
■ ■ □ □			25 % à 50 %
■ □ □ □			0 % à 25 %
▬ □ □ □			Chargez la batterie.
■ □ □ □	↑ ↓		La batterie peut avoir présenté un défaut de fonctionnement.
□ □ ■ ■			

NOTE :

- Selon les conditions d'utilisation et la température ambiante, il est possible que la capacité relevée soit légèrement différente par rapport à la capacité réelle.

Dispositif de sécurité



► 1. Gâchette 2. Levier de sécurité

Assurez-vous que tous les dispositifs de sécurité fonctionnent correctement avant d'utiliser l'appareil. L'outil ne doit pas être utilisé si un seul des deux dispositifs (le déclencheur est relâché ou le levier de sécurité est appuyé contre le bois) est actif. L'agrafeuse ne doit être utilisée que si ces deux actions sont réalisées. Vérifiez les défaillances possibles lorsque l'outil est déchargé et pointé dans une autre direction que la vôtre ou celle de spectateurs.

NOTE :

- Il existe une possibilité que l'outil fonctionne pendant un instant lorsqu'uniquement le déclencheur est relâché. Cela n'indique pas un problème. Si cela se produit, pointez l'outil loin de vous ou des spectateurs. Relâchez et appuyez à nouveau sur le déclencheur afin de vous assurer que les systèmes de sécurité fonctionnent correctement.

ASSEMBLAGE

⚠ ATTENTION :

- Assurez-vous toujours que vos doigts ne sont pas placés sur le déclencheur et que la batterie est enlevée avant d'effectuer un travail sur l'agrafeuse.

Agrafes

- Manipulez les agrafes et leur boîte avec soin. Si les agrafes ont été manipulées durement, il est possible qu'elles soient déformées, ce qui peut provoquer une mauvaise alimentation ou un bourrage.
- Évitez de ranger les agrafes dans un endroit très humide, chaud ou exposé directement au rayonnement solaire.

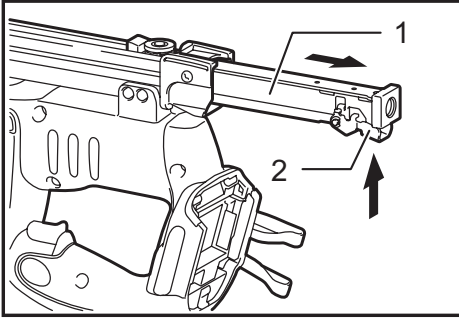
⚠ ATTENTION :

- N'utilisez pas d'autres agrafes que celles indiquées dans ce manuel. N'employez pas non plus des agrafes semblant endommagées, pliées, rouillées ou corrodées.
- N'insérez pas simultanément des agrafes d'une dimension différente dans le chargeur. Cela pourrait provoquer une mauvaise alimentation et des bourrages.

Chargement des agrafes

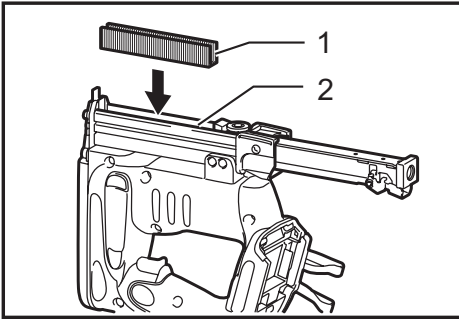
Retirez la batterie.

Appuyez sur le levier de verrouillage se trouvant à l'arrière du chargeur secondaire et glissez-le vers l'arrière.



► 1. Chargeur secondaire 2. Levier de verrouillage

Chargez les agrafes dans le chargeur principal, les pieds vers le haut. Glissez le chargeur secondaire vers l'avant.



► 1. Agrafes 2. Chargeur principal

Pour fixer le chargeur secondaire en place, accrochez le levier de verrouillage se trouvant à l'arrière du chargeur secondaire.

⚠ ATTENTION :

- Si vous tenez l'outil vers le bas et que le chargeur secondaire est ouvert lorsque le chargeur est chargé, les agrafes peuvent tomber et représenter un danger pour n'importe qui ou n'importe quoi se trouvant au-dessous. Soyez-en conscient, plus particulièrement lorsque vous travaillez en hauteur.

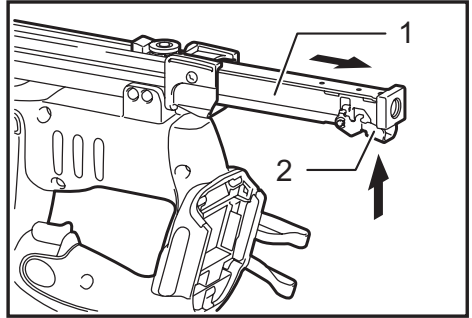
Déchargement des agrafes

⚠ ATTENTION :

- Lorsque vous enlevez des agrafes, assurez-vous que vos doigts ne sont pas placés sur le déclencheur ou le levier et que la batterie est retirée de l'agrafeuse. Un déclenchement accidentel pourrait causer des blessures et des dommages matériels.

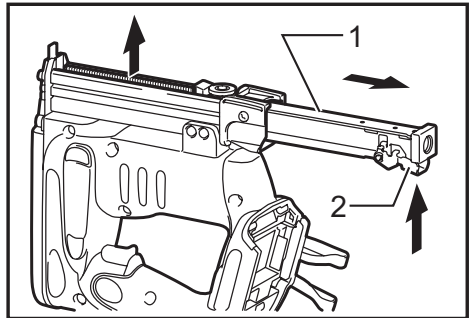
Retirez la batterie.

Appuyez sur le levier de verrouillage et glissez le chargeur à nouveau.



► 1. Chargeur secondaire 2. Levier de verrouillage

Enlevez les agrafes de la fente du chargeur.

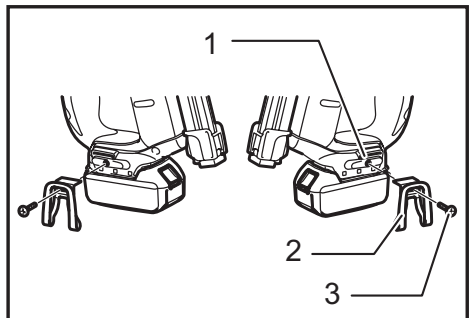


► 1. Chargeur secondaire 2. Levier de verrouillage

Crochet

⚠ ATTENTION :

- Avant d'utiliser le crochet, assurez-vous toujours que vous n'avez pas le doigt sur la gâchette ou le levier et que la batterie est retirée.



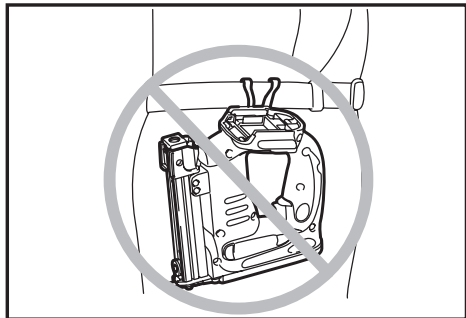
► 1. Rainure 2. Crochet 3. Vis

ATTENTION :

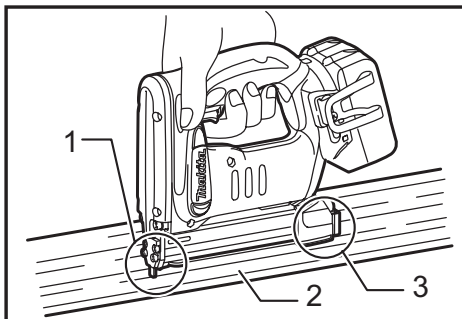
- Ne laissez pas pendre le crochet à la ceinture. Si vous échappez l'agrafeuse, ce qui pourrait se produire si le crochet se déplace accidentellement, cela pourrait causer un déclenchement involontaire provoquant des blessures.

L'outil est équipé d'un crochet pratique qui permet de le suspendre temporairement. Il s'installe d'un côté comme de l'autre de l'outil.

Pour installer le crochet, insérez-le dans les rainures situées de chaque côté du carter de l'outil, puis serrez-le avec une vis. Pour le retirer, desserrez la vis et enlevez-la.



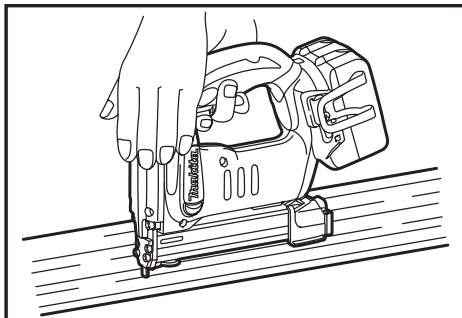
Enfoncer des agrafes



- 1. Avant 2. Pièce 3. Arrière

Placez l'ouverture (d'où sortent les agrafes) de l'outil à plat sur le matériau à fixer et tenez l'outil fermement contre le matériau. Ensuite, relâchez le levier et tirez complètement le déclencheur pour enfoncer les agrafes. La poignée est faite de manière à ce que la tête de l'outil puisse être maintenue sécuritairement vers le bas à l'aide de l'index et du pouce. Après avoir enfoncé une agrafe, assurez-vous de relâcher complètement le déclencheur.

Lorsque la tête de l'agrafe enfoncée demeure au-dessus de la surface du matériau à fixer, enfoncez l'agrafe tout en appuyant fermement sur la tête de l'agrafeuse.

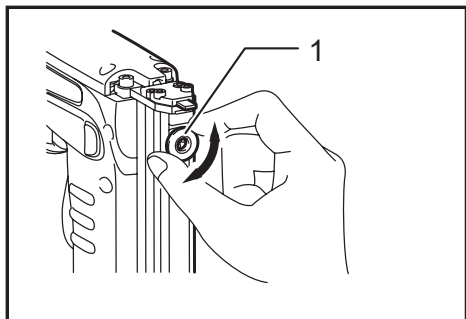


NOTE :

- L'utilisation continue de l'agrafeuse lorsque la tête des agrafes enfoncées demeure au-dessus de la surface du matériau à fixer peut endommager l'organe de commande, boucher l'agrafeuse, etc.

UTILISATION

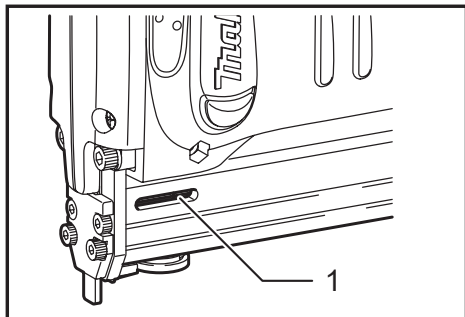
Réglage de la profondeur



- 1. Écrou

Si les agrafes sont enfoncées trop ou trop peu profondément, réglez la profondeur en tournant l'écrou se trouvant à la base de l'outil. Pour plus de profondeur, tournez l'écrou dans les sens des aiguilles d'une montre. Pour moins de profondeur, tournez l'écrou dans le sens contraire des aiguilles d'une montre. Veuillez noter que l'écrou doit être tourné par incrément de 90 ° (1/4 de tour) de manière à ce que la rainure de l'écrou soit parallèle au chargeur.

Vérification du nombre d'agrafes restantes



► 1. Fenêtre de viseur

⚠ ATTENTION :

- N'utilisez pas l'outil sans agrafe. Cela réduit la durée de vie de l'outil.

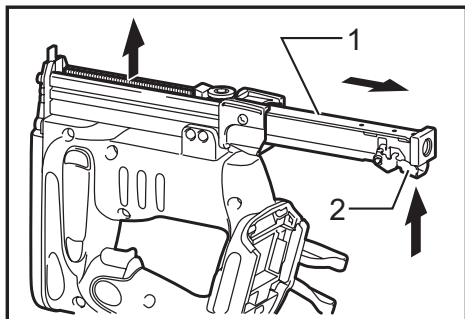
Une fenêtre pratique se trouve du côté droit de l'outil (lorsque l'on regarde l'outil depuis l'avant). Utilisez cette fenêtre pour vérifier s'il y a encore des agrafes dans le chargeur. Lorsqu'aucune agrafe n'est visible par la fenêtre, chargez des agrafes dans le chargeur.

Retrait des agrafes coincées

⚠ MISE EN GARDE :

- Assurez-vous toujours que le déclencheur est relâché et que la batterie est enlevée avant de retirer les agrafes coincées.

Enlevez la batterie de l'agrafeuse.



► 1. Chargeur secondaire 2. Levier de verrouillage

Appuyez sur le levier de verrouillage se trouvant à l'arrière du chargeur secondaire et glissez-le vers l'arrière. Enlevez les agrafes coincées à l'intérieur de l'ouverture d'où elles sont éjectées.

ENTRETIEN

⚠ ATTENTION :

- Assurez-vous toujours que l'outil est hors tension et que la batterie est retirée avant d'y effectuer tout travail d'inspection ou d'entretien.
- N'utilisez jamais d'essence, de benzine, de solvant, d'alcool ou d'autres produits similaires. Une décoloration, une déformation, ou la formation de fissures peuvent en découler.

Pour maintenir la SÉCURITÉ et la FIABILITÉ du produit, les réparations, tout autre travail d'entretien ou de réglage doivent être effectués dans un centre de service Makita agréé ou un centre de service de l'usine Makita, exclusivement avec des pièces de rechange Makita.

ACCESSOIRES EN OPTION

⚠ ATTENTION :

- Ces accessoires ou pièces complémentaires sont recommandés pour l'utilisation avec l'outil Makita spécifié dans ce mode d'emploi. L'utilisation de tout autre accessoire ou pièce complémentaire peut comporter un risque de blessure. N'utilisez les accessoires ou pièces qu'aux fins auxquelles ils ont été conçus.

Si vous désirez obtenir plus de détails concernant ces accessoires, veuillez contacter le centre de service après-vente Makita le plus près.

- Agrafes
- Chargeur et batterie authentiques Makita

NOTE :

- Certains éléments de la liste peuvent être inclus avec l'outil comme accessoires standard. Ils peuvent varier suivant les pays.

GARANTIE LIMITÉE MAKITA

Pour les conditions de garantie en vigueur qui s'appliquent à ce produit, veuillez vous reporter à la feuille de garantie en annexe. Si la feuille de garantie en annexe n'est pas disponible, reportez-vous aux détails de la garantie présentés sur le site Web de votre pays, ci-dessous.

États-Unis d'Amérique: www.makitatools.com

Canada: www.makita.ca

Autres pays: www.makita.com

ESPECIFICACIONES

Modelo	DST221	
Anchura de grapa	10 mm (3/8")	
Longitud aplicable de grapas	10 mm (3/8") - 22 mm (7/8")	
Capacidad del cartucho de grapas	84 pzs	
Longitud total	251 mm (9-7/8")	
Peso neto	2,1 kg (4,6 lbs)	2,4 kg (5,3 lbs)
Tensión nominal	18 V c.c.	
Cartuchos de batería estándar	BL1815N/ BL1820B	BL1830/ BL1830B/ BL1840B/ BL1850B/ BL1860B

- Debido a nuestro programa continuo de investigación y desarrollo, las especificaciones aquí dadas están sujetas a cambios sin previo aviso.
- Las especificaciones y el cartucho de la batería pueden variar de país a país.
- Peso de acuerdo al procedimiento de EPTA-01/2003 incluyendo el cartucho de la batería

Advertencias de seguridad generales para herramientas eléctricas

⚠ADVERTENCIA: lea todas las advertencias de seguridad e instrucciones. Si no sigue todas las advertencias e instrucciones indicadas a continuación, podrá ocasionar una descarga eléctrica, un incendio y/o lesiones graves.

Guarde todas las advertencias e instrucciones para su futura referencia.

El término "herramienta eléctrica" se refiere, en todas las advertencias que aparecen a continuación, a su herramienta eléctrica de funcionamiento con conexión a la red eléctrica (con cableado eléctrico) o herramienta eléctrica de funcionamiento a batería (inalámbrica).

Seguridad en el área de trabajo

1. **Mantenga el área de trabajo limpia y bien iluminada.** Las áreas oscuras o desordenadas son propensas a accidentes.
2. **No utilice las herramientas eléctricas en atmósferas explosivas, tal como en la presencia de líquidos, gases o polvo inflamables.** Las herramientas eléctricas crean chispas que pueden prender fuego al polvo o los humos.
3. **Mantenga a los niños y curiosos alejados mientras utiliza una herramienta eléctrica.** Las distracciones le pueden hacer perder el control.

Seguridad eléctrica

4. **Las clavijas de conexión de las herramientas eléctricas deberán encajar perfectamente en la toma de corriente. No modifique nunca la clavija de conexión de ninguna forma. No utilice ninguna clavija adaptadora con herramientas eléctricas que tengan conexión a tierra (puesta a tierra).** La utilización de clavijas no modificadas y que encajen perfectamente en la toma de corriente reducirá el riesgo de que se produzca una descarga eléctrica.

5. **Evite tocar con el cuerpo superficies conectadas a tierra o puestas a tierra tales como tubos, radiadores, cocinas y refrigeradores.** Si su cuerpo es puesto a tierra o conectado a tierra existirá un mayor riesgo de que sufra una descarga eléctrica.
6. **No exponga las herramientas eléctricas a la lluvia ni a condiciones húmedas.** La entrada de agua en una herramienta eléctrica aumentará el riesgo de que se produzca una descarga eléctrica.
7. **No jale el cable. Nunca utilice el cable para transportar, jalar o desconectar la herramienta eléctrica. Mantenga el cable alejado del calor, aceite, objetos cortantes o piezas móviles.** Los cables dañados o atrapados aumentan el riesgo de sufrir una descarga eléctrica.
8. **Cuando utilice una herramienta eléctrica en exteriores, utilice un cable de extensión apropiado para uso en exteriores.** La utilización de un cable apropiado para uso en exteriores reducirá el riesgo de que se produzca una descarga eléctrica.
9. **Si no es posible evitar usar una herramienta eléctrica en condiciones húmedas, utilice un alimentador protegido con interruptor de circuito de falla en tierra (ICFT).** El uso de un ICFT reduce el riesgo de descarga eléctrica.

Seguridad personal

10. **Manténgase alerta, preste atención a lo que está haciendo y utilice su sentido común cuando opere una herramienta eléctrica. No utilice la herramienta eléctrica cuando esté cansado o bajo la influencia de drogas, alcohol o medicamentos.** Un momento de distracción mientras opera la máquina puede dar como resultado heridas personales graves.
11. **Use equipo de protección personal. Póngase siempre protección para los ojos.** El equipo protector tal como máscara contra el polvo, zapatos de seguridad antiderrapantes, casco rígido y protección para oídos utilizado en las condiciones apropiadas reducirá las heridas personales.

12. **Impida el encendido accidental. Asegúrese de que el interruptor esté en la posición de apagado antes de conectar a la alimentación eléctrica y/o de colocar el cartucho de la batería, así como al levantar o cargar la herramienta.** Cargar las herramientas eléctricas con su dedo en el interruptor o enchufarlas con el interruptor encendido hace que los accidentes sean propensos.
13. **Retire cualquier llave de ajuste o llave de apriete antes de encender la herramienta.** Una llave de ajuste o llave de apriete que haya sido dejada puesta en una parte giratoria de la herramienta eléctrica podrá resultar en heridas personales.
14. **No utilice la herramienta donde no alcance. Mantenga los pies sobre suelo firme y el equilibrio en todo momento.** Esto permite un mejor control de la herramienta eléctrica en situaciones inesperadas.
15. **Use vestimenta apropiada. No use ropas sueltas ni joyas. Mantenga el cabello, la ropa y los guantes alejados de las piezas móviles.** Las prendas de vestir holgadas, las joyas y el cabello suelto podrían engancharse en estas piezas móviles.
16. **Si dispone de dispositivos para la conexión de equipos de extracción y recolección de polvo, asegúrese de conectarlos y utilizarlos debidamente.** La utilización de estos dispositivos reduce los riesgos relacionados con el polvo.

Mantenimiento y uso de la herramienta eléctrica

17. **No fuerce la herramienta eléctrica. Utilice la herramienta eléctrica correcta para su aplicación.** La herramienta eléctrica adecuada hará un trabajo mejor a la velocidad para la que ha sido fabricada.
18. **No utilice la herramienta eléctrica si el interruptor no la enciende y apaga.** Cualquier herramienta eléctrica que no pueda ser controlada con el interruptor es peligrosa y debe ser reemplazada.
19. **Desconecte la clavija de la fuente de energía y/o la batería de la herramienta eléctrica antes de realizar ajustes, cambiar accesorios o guardar las herramientas eléctricas.** Dichas medidas de seguridad preventivas reducen el riesgo de que la herramienta se inicie accidentalmente.
20. **Guarde la herramienta eléctrica que no use fuera del alcance de los niños y no permita que las personas que no están familiarizadas con ella o con las instrucciones la operen.** Las herramientas eléctricas son peligrosas en manos de personas que no saben operarlas.
21. **Realice el mantenimiento a las herramientas eléctricas. Compruebe que no haya partes móviles desalineadas o estancadas, piezas rotas y cualquier otra condición que pueda afectar al funcionamiento de la herramienta eléctrica. Si la herramienta eléctrica está dañada, haga que se la reparen antes de utilizarla.** Muchos accidentes son ocasionados por herramientas eléctricas con un mal mantenimiento.

22. **Mantenga las herramientas de corte limpias y filosas.** Si recibe un mantenimiento adecuado y tiene los bordes afilados, es probable que la herramienta se atasque menos y sea más fácil controlarla.
23. **Utilice la herramienta eléctrica, así como accesorios, piezas, brocas, etc. de acuerdo con estas instrucciones y de la manera establecida para cada tipo de unidad en particular; tenga en cuenta las condiciones laborales y el trabajo a realizar.** Si utiliza la herramienta eléctrica para realizar operaciones distintas de las indicadas, podrá presentarse una situación peligrosa.

Uso y cuidado de la herramienta a batería

24. **Realice la recarga sólo con el cargador especificado por el fabricante.** Un cargador que es adecuado para un solo tipo de batería puede generar riesgo de incendio al ser utilizado con otra batería.
25. **Utilice las herramientas eléctricas solamente con las baterías designadas específicamente para ellas.** La utilización de cualquier otra batería puede crear un riesgo de heridas o incendio.
26. **Cuando no se esté usando el cartucho de la batería, manténgalo alejado de otros objetos metálicos, como sujetapapeles (clips), monedas, llaves, clavos, tornillos u otros objetos pequeños de metal los cuales pueden actuar creando una conexión entre las terminales de la batería.** Cerrar el circuito de las terminales de la batería puede causar quemaduras o incendios.
27. **En condiciones abusivas, podrá escapar líquido de la batería; evite tocarlo. Si lo toca accidentalmente, enjuague con agua. Si hay contacto del líquido con los ojos, acuda por ayuda médica.** Puede que el líquido expulsado de la batería cause irritación o quemaduras.

Servicio de mantenimiento

28. **Haga que una persona calificada repare la herramienta utilizando sólo piezas de repuesto idénticas.** Esto asegura que se mantenga la seguridad de la herramienta eléctrica.
29. **Siga las instrucciones para la lubricación y cambio de accesorios.**
30. **Mantenga las agarraderas secas, limpias y sin aceite o grasa.**

ADVERTENCIAS DE SEGURIDAD PARA LA ENGRAPADORA INALÁMBRICA

1. **Siempre asuma que la herramienta contiene broches.** El manejo descuidado de la grapadora puede resultar en un disparo accidental de los grapas causando lesiones personales.
2. **No apunte la herramienta hacia sí mismo ni a nadie que esté cerca.** Apretar el gatillo accidentalmente descargará el broche causando una lesión.
3. **No active la herramienta a menos que esté colocada firmemente contra la pieza de trabajo.** Si la herramienta no está haciendo contacto con la pieza de trabajo, puede que el broche se desvíe de su objetivo.

4. **Desconecte la herramienta de la fuente de alimentación eléctrica cuando algún broche se trabe en la herramienta.** Al extraer algún broche que se haya trabado, puede que la grapadora se dispare accidentalmente si se encuentra conectada.
5. **Tenga precaución al retirar un broche atascado.** Puede que el mecanismo esté bajo compresión y que el broche requiera descargarse a fuerza mientras se intenta librarlo del atascamiento.
6. **No use esta grapadora para la sujeción de cables eléctricos.** No está diseñada para la instalación de cableado eléctrico y puede que dañe el asilamiento de los cables, por lo que podría generar descargas eléctricas o peligros de incendio.
7. **Siempre use gafas o lentes de seguridad con protección lateral, y una careta de protección completa cuando sea necesario.**
8. **Mantenga las manos y los pies alejados del área del puerto de expulsión.**
9. **Siempre retire el cartucho de la batería antes de resumistrar broches, hacer ajustes, inspecciones, mantenimiento, o tras haber finalizado la operación.**
10. **Asegúrese que nadie está cerca antes de la operación. Nunca intente la colocación de broches al mismo tiempo tanto de la parte interior como de la parte exterior de la pared. Los broches podrían desgarrarse y/o salir volando, lo cual representa un serio peligro.**
11. **Esté atento de pisar suelo firme y de mantener el equilibrio con la herramienta. Asegúrese de que no haya nadie debajo al estar trabajando sobre lugares elevados.**
12. **Revise paredes, techos, tejados, pisos y similares con atención para evitar una descarga eléctrica accidental, así como una fuga de gas, explosiones, etc. que sean debido al haber engrapado en cables con corriente, tubos o ductos de gas.**
13. **Use solamente las broches que se especifican en este manual. El uso de cualquier otro broche puede provocar un funcionamiento inapropiado de la herramienta.**
14. **No fuerce la herramienta ni pretenda usarla para otro propósito que no sea la inserción de broches.**
15. **No haga funcionar la herramienta sin broches. Esto acorta el tiempo de vida útil de la herramienta.**
16. **Detenga la operación de clavado de inmediato si nota algo mal o fuera de lo común con la herramienta.**
17. **Nunca coloque broches en materiales que puedan ser traspasados y que éstos puedan salir disparados como un proyectil.**
18. **Nunca active el gatillo interruptor y la palanca de seguridad al mismo tiempo hasta que esté preparado para la inserción de broches sobre las piezas de trabajo. Deje que la pieza de trabajo presione la palanca de seguridad. Nunca anule su propósito al fijar la palanca de seguridad hacia atrás, o al estarla oprimiendo con su mano.**

19. **Nunca fuerce la palanca de seguridad. Verifique con frecuencia la operación adecuada de la palanca de seguridad.**

GUARDE ESTAS INSTRUCCIONES.

⚠ADVERTENCIA: NO DEJE que la comodidad o familiaridad con el producto (a base de utilizarlo repetidamente) sustituya la estricta observancia de las normas de seguridad para dicho producto. El MAL USO o el no seguir las normas de seguridad establecidas en este manual de instrucciones puede ocasionar graves lesiones personales.

Símbolos

A continuación se muestran los símbolos utilizados para la herramienta.

v	volts o voltios
— — —	corriente directa o continua

INSTRUCCIONES IMPORTANTES DE SEGURIDAD

PARA CARTUCHO DE BATERÍA

1. **Antes de utilizar el cartucho de batería, lea todas las instrucciones e indicaciones de precaución sobre (1) el cargador de baterías, (2) la batería, y (3) el producto con el que se utiliza la batería.**
2. **No desarme el cartucho de batería.**
3. **Si el tiempo de operación se ha acortado en exceso, deje de operar de inmediato. Podría correrse el riesgo de sobrecalentamiento, posibles quemaduras e incluso explosión.**
4. **En caso de que ingresen electrolitos en sus ojos, enjuáguelos bien con agua limpia y consulte de inmediato a un médico. Podría perder la visión.**
5. **No cortocircuite el cartucho de batería:**
 - (1) **No toque las terminales con ningún material conductor.**
 - (2) **Evite guardar el cartucho de batería en un cajón junto con otros objetos metálicos, tales como clavos, monedas, etc.**
 - (3) **No exponga la batería de cartucho a la lluvia o nieve.**

Un corto circuito en la batería puede causar un flujo grande de corriente, sobrecalentamiento, posibles quemaduras y aún descomposturas.
6. **No guarde la herramienta ni el cartucho de batería en lugares donde la temperatura pueda alcanzar o exceder los 50°C (122°F).**

7. Nunca incinere el cartucho de batería incluso en el caso de que esté dañado seriamente o ya no sirva en absoluto. El cartucho de batería puede explotar si se tira al fuego.
8. Tenga cuidado de no dejar caer ni golpear el cartucho de batería.
9. No use una batería dañada.
10. Las baterías incluidas están sujetas a cumplir con los requisitos de la Legislación de Insumos Peligrosos.
Para transportes comerciales, p.ej. por entidades terceras como agencias de envío de paquetería, se requiere de un empackado con el etiquetado correspondiente.
Para la preparación del artículo a ser enviado, se requiere de la asesoría de un experto con sustancias peligrosas. Por favor también asegúrese de cumplir con las posibles normas nacionales detalladas.
Cubra con cinta adhesiva o coloque una barrera en los contactos que estén expuestos y empaque la batería de tal manera que no pueda moverse dentro del paquete.
11. Siga las regulaciones locales relacionadas al desecho de las baterías.

GUARDE ESTAS INSTRUCCIONES.

⚠PRECAUCIÓN: Use solo baterías auténticas de Makita.

El uso de baterías no auténticas de Makita, o baterías que hayan sido alteradas, puede que resulte en la explosión de la batería, originando un incendio, así como lesiones al usuario y daños. También anulará la garantía de Makita para la herramienta y el cargador Makita.

Consejos para alargar al máximo la vida útil de la batería

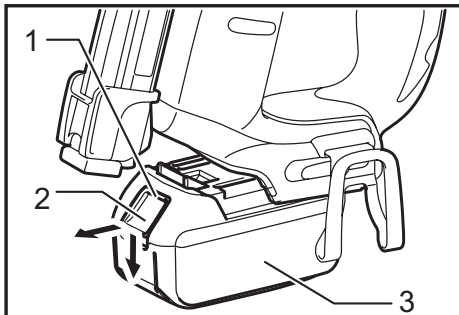
1. Cargue el cartucho de batería antes de que se descargue completamente.
Pare siempre la operación y cargue el cartucho de batería cuando note menos potencia en la herramienta.
2. No cargue nunca un cartucho de batería que esté completamente cargado.
La sobrecarga acortará la vida de servicio de la batería.
3. Cargue el cartucho de batería a temperatura ambiente de 10°C - 40°C (50°F - 104°F). Si un cartucho de batería está caliente, déjelo enfriar antes de cargarlo.
4. Cargue el cartucho de batería si no lo ha usado por un largo período (más de seis meses).

DESCRIPCIÓN DEL FUNCIONAMIENTO

⚠PRECAUCIÓN:

- Asegúrese siempre de que la herramienta esté apagada y el cartucho de batería extraído antes de realizar cualquier ajuste o comprobación en la herramienta.

Instalación o desmontaje del cartucho de batería



► 1. Parte roja 2. Botón 3. Cartucho de batería

⚠PRECAUCIÓN:

- Apague siempre la herramienta antes de colocar o quitar el cartucho de batería.
- **Sujete la herramienta y el cartucho de la batería con firmeza al colocar o quitar el cartucho.** Si no se sujeta con firmeza la herramienta y el cartucho de la batería, puede ocasionar que se resbalen de sus manos resultando en daños a la herramienta y al cartucho, así como lesiones a la persona.

Para quitar el cartucho de batería, deslícelo de la herramienta mientras desliza el botón sobre la parte delantera del cartucho.

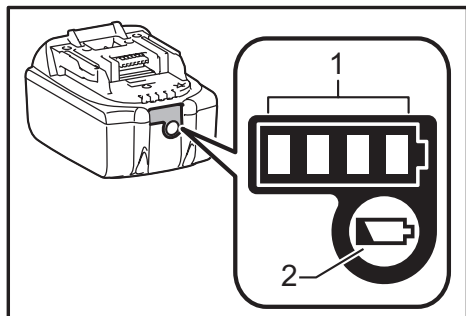
Para colocar el cartucho de batería, alinee la lengüeta sobre el cartucho de batería con la ranura en la carcasa y deslice en su lugar. Inserte por completo hasta que se fije en su lugar con un pequeño clic. Si puede ver el indicador rojo del lado superior del botón, esto indica que no ha quedado fijo por completo.

⚠PRECAUCIÓN:

- Introduzca siempre completamente el cartucho de batería hasta que el indicador rojo no pueda verse. Si no, podría accidentalmente salirse de la herramienta y caer al suelo causando una lesión a usted o alguien a su alrededor.
- No instale el cartucho de batería a la fuerza: si el cartucho no se desliza al interior fácilmente, se debe a que no está siendo insertado correctamente.

Indicación de la capacidad restante de la batería

(Solo para cartuchos de batería con una "B" al final del número de modelo.)



► 1. Luces indicadoras 2. Botón de verificación

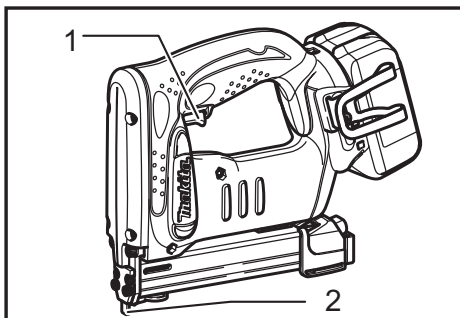
Presione el botón de comprobación en el cartucho de la batería para indicar la capacidad restante de la batería. La luz indicadora se enciende por algunos segundos.

Luces indicadoras			Capacidad restante
Encendido	APAGADO	Intermitencia	
■ ■ ■ ■			75% a 100%
■ ■ ■ □			50% a 75%
■ ■ □ □			25% a 50%
■ □ □ □			0% a 25%
▬ □ □ □			Recargue la batería.
■ □ □ □	↑ ↓	□ ■	Puede que haya un defecto en el funcionamiento de la batería.

NOTA:

- Dependiendo de las condiciones de uso y de la temperatura ambiental, puede que el nivel indicado difiera ligeramente de la capacidad real de la batería.

Sistema de seguridad



► 1. Gatillo 2. Palanca de seguridad

Asegúrese que los sistemas de seguridad estén funcionando antes de la operación. La herramienta no debe accionarse si sólo se jala el gatillo o si sólo la palanca de seguridad se oprime contra la madera. Sólo debe activarse cuando ambas acciones sean ejecutadas. Realice pruebas para detectar posibles fallas con la herramienta descargada y asegúrese de que esté apuntada alejada de usted o alguna otra persona.

NOTA:

- Existe la posibilidad de que la herramienta se accione por un instante sólo cuando se jale el gatillo. Esto no indica que haya un problema. Si esto ocurre, asegúrese de que la herramienta esté apuntada alejada de usted o de alguna otra persona. Suelte y jale el gatillo de nuevo para asegurarse que los mecanismos de seguridad están funcionando correctamente.

ENSAMBLE

⚠PRECAUCIÓN:

- Siempre asegúrese de que sus dedos no estén colocados sobre el gatillo y que el cartucho de la batería no esté puesto antes de realizar cualquier servicio para la engrapadora.

Grapas

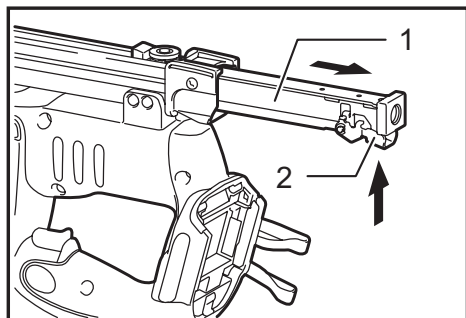
- Tenga un cuidadoso manejo de las grapas y de la caja en donde están contenidas. Si se tiene un manejo descuidado de las grapas, puede que éstas se hayan deformado, ocasionando una operación deficiente en la alimentación de grapas y atascamiento.
- Evite almacenar las grapas en un lugar muy húmedo o caliente, así como dejarlas expuestas a la luz directa del sol.

⚠PRECAUCIÓN:

- No use otras grapas que no sean las indicadas en este manual, ni grapas que luzcan dañadas, dobladas, oxidadas o carcomidas.
- No inserte grapas de distintos tamaños a la vez dentro del cartucho, lo cual causaría una alimentación deficiente de grapas o atascamiento.

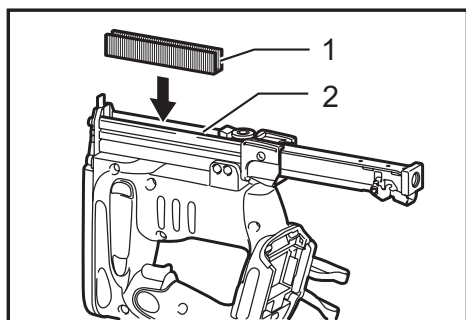
Resuministro de grapas

Retire el cartucho de la batería.
Presione la palanca de bloqueo sobre la sección trasera del cartucho secundario y deslícelo hacia atrás.



► 1. Cartucho secundario 2. Palanca de bloqueo

Resuministre las grapas en el cartucho principal con las patas de las grapas hacia arriba. Deslice el cartucho secundario hacia adelante.



► 1. Grapas 2. Cartucho principal

Para fijar el cartucho secundario en su lugar, enganche la palanca de bloqueo sobre la sección trasera del cartucho secundario.

⚠PRECAUCIÓN:

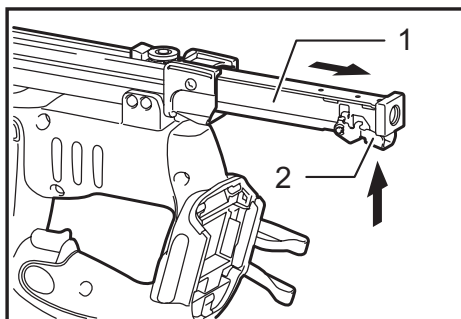
- Con el cartucho resuministrado, si la herramienta se sujeta en dirección hacia abajo y el cartucho secundario se abre, las grapas podrán salirse y presentar un peligro para cualquier persona que se encuentre por debajo. Tenga esto en cuenta especialmente al estar trabajando en lugares elevados.

Extracción de grapas

⚠PRECAUCIÓN:

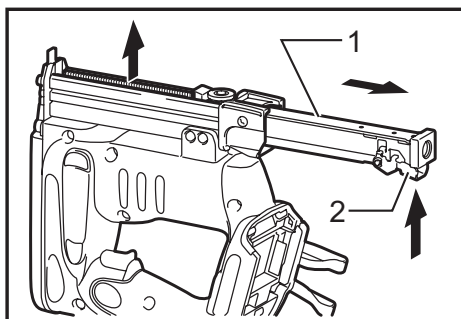
- Al retirar las grapas, asegúrese de que sus dedos no estén colocados sobre el gatillo ni la palanca, y que el cartucho de la batería se haya quitado de la herramienta. Puede que le disparado accidental ocasiona lesiones personales y daños materiales.

Retire el cartucho de la batería.
Presione la palanca de bloqueo y deslice el cartucho hacia atrás.



► 1. Cartucho secundario 2. Palanca de bloqueo

Quite las grapas de la apertura del cartucho.

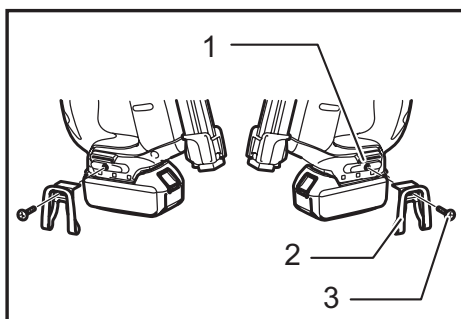


► 1. Cartucho secundario 2. Palanca de bloqueo

Gancho

⚠PRECAUCIÓN:

- Siempre asegúrese de que sus dedos no estén colocados sobre el gatillo ni la palanca, y que el cartucho de la batería no esté puesto antes de usar el gancho.



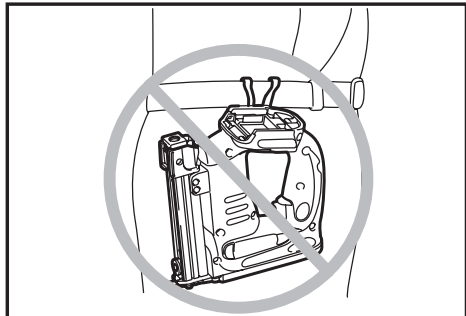
► 1. Ranura 2. Gancho 3. Tornillo

⚠️ PRECAUCIÓN:

- No cuelgue el gancho del cinturón. Dejar caer la engrapadora debido a que el gancho se soltó accidentalmente, puede causar el disparado accidental y ocasionar lesiones personales.

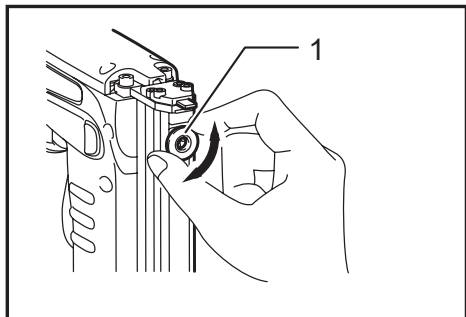
El gancho resulta útil para colgar temporalmente la herramienta. Se puede instalar en cualquiera de los lados de la herramienta.

Para instalar el gancho, insértelo en una ranura del alojamiento de la herramienta de cualquiera de los lados y después sujételo con un tornillo. Para quitarlo, afloje el tornillo y después sáquelo.



OPERACIÓN

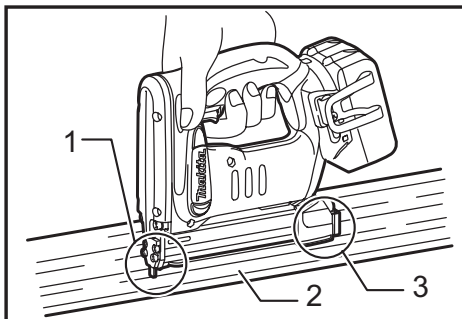
Ajuste de la profundidad



► 1. Tuerca

Si las grapas están siendo insertadas muy profunda o superficialmente, ajuste la profundidad de inserción al girar la tuerca sobre la parte inferior de la herramienta. Para una inserción más profunda, gire en dirección de las agujas del reloj. Para una inserción más superficial, gire en dirección contraria a las agujas del reloj. Tenga en cuenta que la tuerca debe girarse en incrementos de 90° (1/4 de giro) para que la ranura en la tuerca quede paralela con el cartucho.

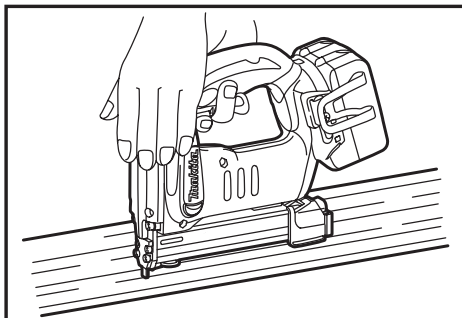
Inserción de grapas



► 1. Sección delantera 2. Pieza de trabajo 3. Sección trasera

Coloque la apertura de la herramienta de forma plana para que los grapas se disparen sobre el material a ser fijado y sostenga la herramienta con firmeza contra el material. Después jale la palanca y luego el gatillo por completo para insertar las grapas. La empuñadura está de tal forma que la cabeza de la herramienta pueda sostenerse firmemente hacia abajo con el dedo índice y el pulgar. Tras la inserción de las grapas, asegúrese de soltar el gatillo por completo.

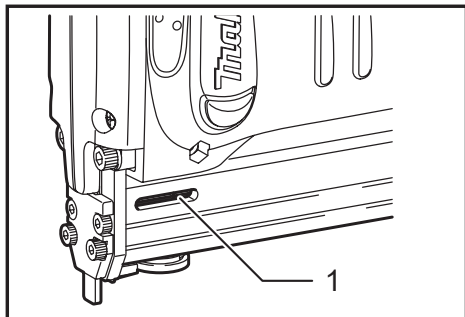
Cuando la cabeza de una grapa insertada queda por encima de la superficie del material a ser fijado, inserte la grapa mientras sujeta la cabeza de la engrapadora con firmeza.



NOTA:

- Usar la grapadora con la cabeza disparadora de grapas continuamente permaneciendo por encima de la superficie a ser fijada puede causar daños a la herramienta, así como atascamiento de las grapas, etc.

Comprobación de las grapas restantes



► 1. Ventana visual

⚠PRECAUCIÓN:

- No opere la herramienta sin grapas. Esto acorta el tiempo de vida útil de la herramienta.

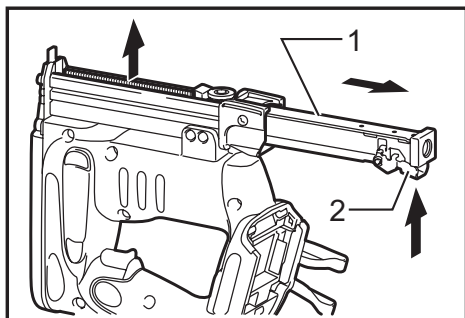
La herramienta cuenta con una ventana de visión sobre su costado derecho (en relación al estarla viendo de frente). Use esta ventana de visión para ver si quedan grapas en el cartucho. Cuando no se divisen grapas por la ventana, resuministre grapas al cartucho.

Extracción de grapas atascadas

⚠ADVERTENCIA:

- Siempre asegúrese de que el gatillo se haya soltado y que el cartucho de la batería se haya retirado antes de quitar los grapas atascadas.

Retire el cartucho de la batería de la grapadora.



► 1. Cartucho secundario 2. Palanca de bloqueo

Presione la palanca de bloqueo sobre la sección trasera del cartucho secundario y deslícelo hacia atrás. Retire las grapas atascadas que quedaron por dentro de la apertura cuando fueron disparadas según se detecten.

MANTENIMIENTO

⚠PRECAUCIÓN:

- Asegúrese siempre de que la herramienta esté apagada y el cartucho de batería extraído antes de intentar realizar una inspección o mantenimiento.
- Nunca use gasolina, bencina, diluyente (tíner), alcohol o sustancias similares. Puede que esto ocasione grietas o descoloramiento.

Para mantener la SEGURIDAD y FIABILIDAD del producto, las reparaciones, y cualquier otra tarea de mantenimiento o ajuste deberán ser realizadas en Centros de Servicio Autorizados por Makita, empleando siempre repuestos Makita.

ACCESORIOS OPCIONALES

⚠PRECAUCIÓN:

- Estos accesorios o aditamentos (incluidos o no) están recomendados para utilizar con su herramienta Makita especificada en este manual. El empleo de cualesquiera otros accesorios o acoplamientos conllevará un riesgo de sufrir heridas personales. Utilice los accesorios o acoplamientos solamente para su fin establecido.

Si necesita cualquier ayuda para más detalles en relación con estos accesorios, pregunte a su centro de servicio Makita local.

- Grapas
- Batería y cargador originales de Makita

NOTA:

- Algunos de los artículos en la lista puede que vengan junto con el paquete de la herramienta como accesorios incluidos. Puede que estos accesorios varíen de país a país.

GARANTÍA LIMITADA DE MAKITA

Ésta Garantía no aplica para México

Consulte la hoja de la garantía anexa para ver los términos más vigentes de la garantía aplicable a este producto. En caso de no disponer de esta hoja de garantía anexa, consulte los detalles sobre la garantía descritos en el sitio web de su país respectivo indicado a continuación.

Estados Unidos de América: www.makitatools.com

Canadá: www.makita.ca

Otros países: www.makita.com

< USA only >

WARNING

Some dust created by power sanding, sawing, grinding, drilling, and other construction activities contains chemicals known to the State of California to cause cancer, birth defects or other reproductive harm. Some examples of these chemicals are:

- lead from lead-based paints,
- crystalline silica from bricks and cement and other masonry products, and
- arsenic and chromium from chemically-treated lumber.

Your risk from these exposures varies, depending on how often you do this type of work. To reduce your exposure to these chemicals: work in a well ventilated area, and work with approved safety equipment, such as those dust masks that are specially designed to filter out microscopic particles.

< Sólo en los Estados Unidos >

ADVERTENCIA

Algunos polvos creados por el lijado, aserrado, esmerilado, taladrado y otras actividades de la construcción contienen sustancias químicas reconocidas por el Estado de California como causantes de cáncer, defectos de nacimiento y otros peligros de reproducción. Algunos ejemplos de estos productos químicos son:

- plomo de pinturas a base de plomo,
- sílice cristalino de ladrillos y cemento y otros productos de albañilería, y
- arsénico y cromo de maderas tratadas químicamente.

El riesgo al que se expone varía, dependiendo de la frecuencia con la que realice este tipo de trabajo. Para reducir la exposición a estos productos químicos: trabaje en un área bien ventilada y póngase el equipo de seguridad indicado, tal como las máscaras contra polvo que están especialmente diseñadas para filtrar partículas microscópicas.

Makita Corporation

3-11-8, Sumiyoshi-cho,
Anjo, Aichi 446-8502 Japan

www.makita.com

885343F934
DST221-1
EN, FRCA, ESMX
20180829